



Technical Specification/Submittal

EA Flow Turnstile

The **EA Flow Turnstile** complements our Speedlane range and has a modern sleek cabinet with LED pictograms. For a wider passage we also offer a powered swing gate. Matching glass balustrading is available to close or cordon off unused areas.

Access control readers can be easily integrated beneath the EA Flow turnstile slimline glass top design. The design incorporates LED indicators which help guide users through the turnstile. The EA Flow turnstile is also available (Option) with a Stainless-Steel top to accommodate bolt on, face recognition or other biometric reading devices. Stainless is our standard finish, but other finishes are available for special order

The **EA Flow Turnstile** can be integrated with most Access Control and Fire Alarm Systems, to provide controlled access/egress and or allow free egress in the event of a fire alarm/emergency activation. When integrated with a fire alarm, on fire activation, the arm drops to allow free exit and remains open until the alarm is reset.

Model	EA Flow
Size	1500x120x1006mm
Input voltage	240V
Drive motor	DC 24v brushless motor
Passing speed	30 people/minute
Applicable temperature	-20°C to +70°C
Life time	9 million operations
Material thickness	1.5mm
Operation	Single / Bi-directional
Passage widths	560mm

Technical Specification/Submittal

EA Flow Turnstile

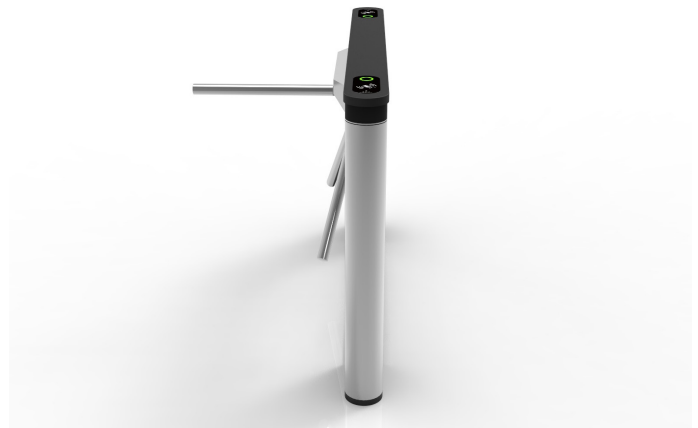
The **EA Flow Turnstile** is a waist high, very effective and versatile turnstile, which allows efficient control of staff and visitors alike. Turnstiles remove the pressure from security and reception staff by dealing with the mundane checking of security passes and authorisation. People who are authorised can pass through simply by presenting a valid access control pass, facial recognition or via other biometric reading device and then press gently against the servo assisted arm.

The **EA Flow Turnstile** will enhance access efficiency and reduce staffing costs in a reliable and consistent manner. When configured in a line, they look stylish, sleek and are very attractive. The stylish appearance harmonises with high traffic flow capability and user safety.

Most Access Control devices can be easily integrated into the Flow Turnstile. Readers can be mounted and hidden beneath the glass tops with visual LED light indicators as well as voice guidance announcements, if required. A Stainless-steel top (option) offers the ability to surface mount other types of biometric and face recognition devices directly on top of the cabinet.

The **EA Flow Turnstile** can be configured to operate in a single or bi direction flow arrangement, and offer a passage width of 650mm. EA have an optional control panel to override .

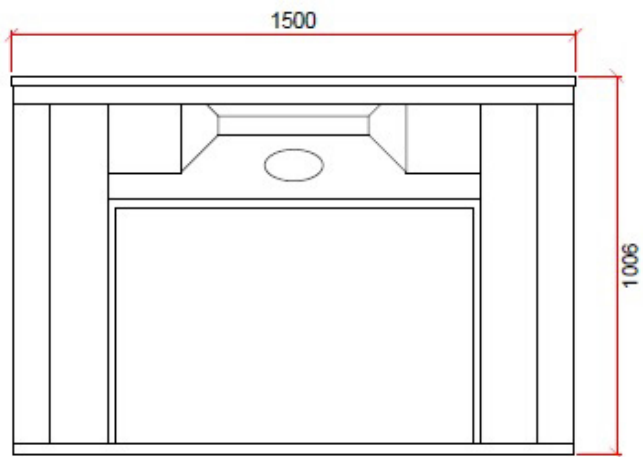
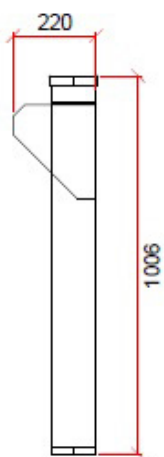
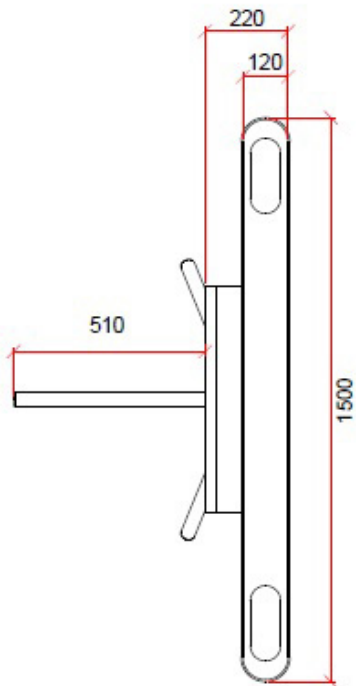
The Flow turnstile is equipped with an anti-panic 'drop arm' function that provides free flowing pedestrian access in case of emergency (loss of power, or receipt of an alarm signal) and is a popular utilitarian model that fulfills the requirements for many different people flow and visitor management applications. We also offer a fixed arm version. Optional features include: backup battery packs and remote controls panels.



The **EA Flow Turnstile** comes with a standard brushed Stainless-Steel AISI 304 finish. They can also be supplied in polished Stainless Steel or any RAL powder coat colour option. Its pleasing sleek, modern design and the use of high-quality parts and materials makes it one of the most reliable, robust and long-lasting turnstile units available today.

Technical
Specification/Submittal

Dimensions





**EA GROUP OFFER A WIDE RANGE OF SECURITY
AND ACCESS CONTROL SOLUTIONS**

Speed Gates, Revolving & Automatic Doors, Automatic
Gates, Access Control, CCTV, Rising & Security
Bollards and Car park & Automatic Vehicle Barriers

We are also able to offer bespoke access solutions:

After Sales / Maintenance & product Support packages
Free quotations
Customised technical drawings and presentations

*Peace of mind, professional service and product
warranty from the UK's leading Access Security
Specialist, Revolving Door, Gate & Barrier
Automation and CCTV installer*

Visit our website:

www.ea-group.co.uk

for further details or telephone our
sales and enquiry desk on
+44 (0)1372 459536

EA Group (UK) Limited

Units 20/21 Bookham Industrial
Park Church Road, Bookham
Surrey, KT23 3EU

Registered in England: 3094251 VAT No: 994124937



Certificate Number 19313

